

GENERAL DESCRIPTION:

Manual Diaphragm-Type Water Closet Flush Valve for floor-mounted or wall-hung 1-1/2" top spud bowls.

PRODUCT FEATURES:

- Patent-pending DynaClean™ wiper spring technology significantly reduces maintenance and downtime.
- Self-cleaning wiper spring cleans the refill orifice with every flush; prevents valve run-on from clogging
- Prevents costly excess water usage and potential flooding
- Premium, chlorine resistant EvoLast™ diaphragm material prevents premature deterioration and failure
- Delivers consistent flushing performance and water savings over time
- Dezincification-resistant brass alloy withstands the most severe water conditions
- Non-hold open handle provides automatic shut-off
- High back pressure vacuum breaker prevents dripping
- Adjustable tailpiece for rough-in flexibility
- Can be installed left or right handed
- No external volume adjustment
- ADA compliant
- Barrier Free compliant

MODEL NUMBER:



☐ **6147111.002** Flush Valve for 1-1/2" top spud bowl, 11-1/2" Supply C/L to top of bowl, 1.1 gpf/4.2 Lpf

OPERATING PRESSURE:

25 psi (flowing)-80 psi (static)

FLOW REQUIREMENT:

25gpm (94.6 L/min.)

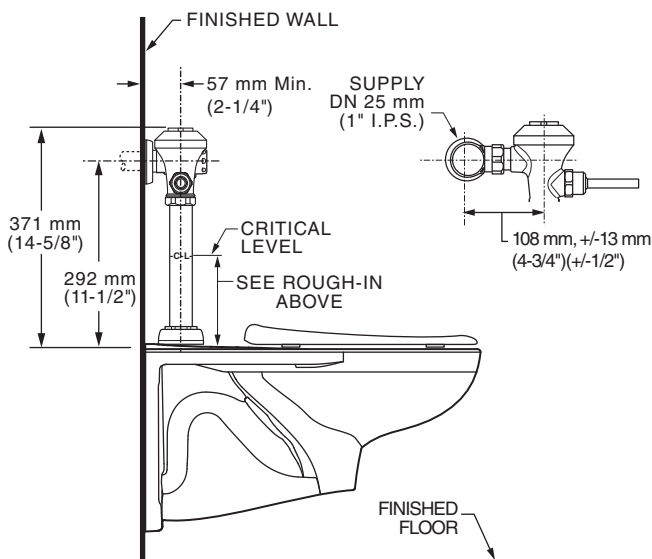
INCLUDES:

- 1" I.P.S. angle stop with back-flow prevention and vandal-resistant cap
- Sweat solder kit including cover tube and wall flange
- High back pressure vacuum breaker with down tube
- Spud coupling & flange for 1-1/2" top spud

ACCESSORIES:

- Split ring pipe supports (2-1/2" & 6" C-E)

**TYPICAL WATER CLOSET INSTALLATION:
AFWALL™ TOILET SHOWN**



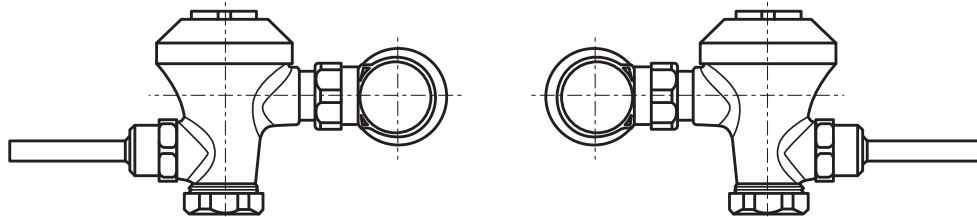
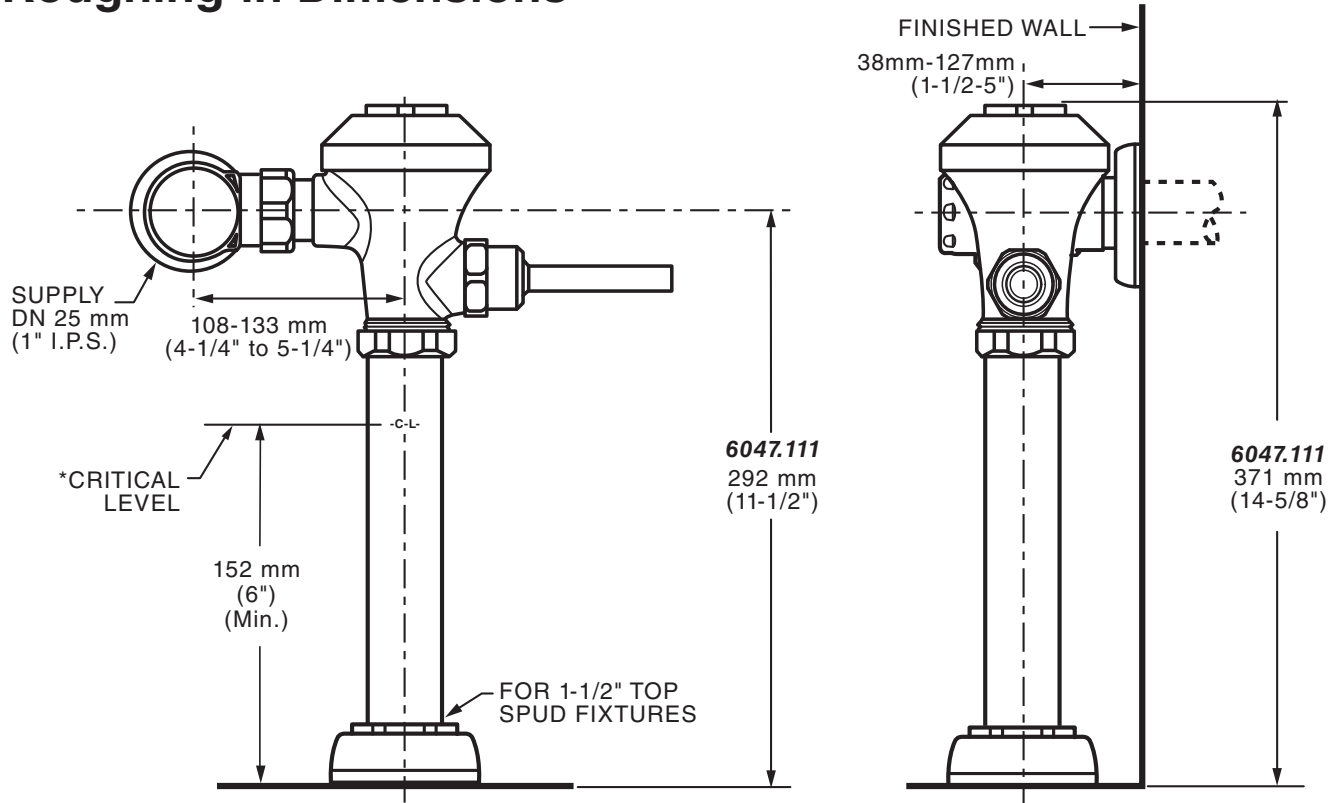
RECOMMENDED SPECIFICATION:

Manual toilet flush valve shall feature self-cleaning diaphragm valve with integral DynaClean wiper spring in bypass orifice to prevent clogging. Advanced EvoLast diaphragm provides superior chlorine-resistance. Includes dezincification-resistant cast brass valve body with chrome finish. Includes sweat solder kit with wall flange and cover tube. Angle stop with back-flow protection and vandal-resistant stop cap. High back pressure vacuum breaker included. 1.1 gpf / 4.2 Lpf Flush valve shall be American Standard Model # 6147.111.002.

LISTINGS:

- ASSE 1037
- ANSI/ASME A112.19.2
- ADA Compliant

Roughing-in Dimensions



Left or Right Hand Installation



Meets CSA B651 Barrier Free code. Check local codes.



Meets the American Disabilities Act Guidelines and ANSI A117.1 Requirements for the physically challenged.

PART OF LIXIL